

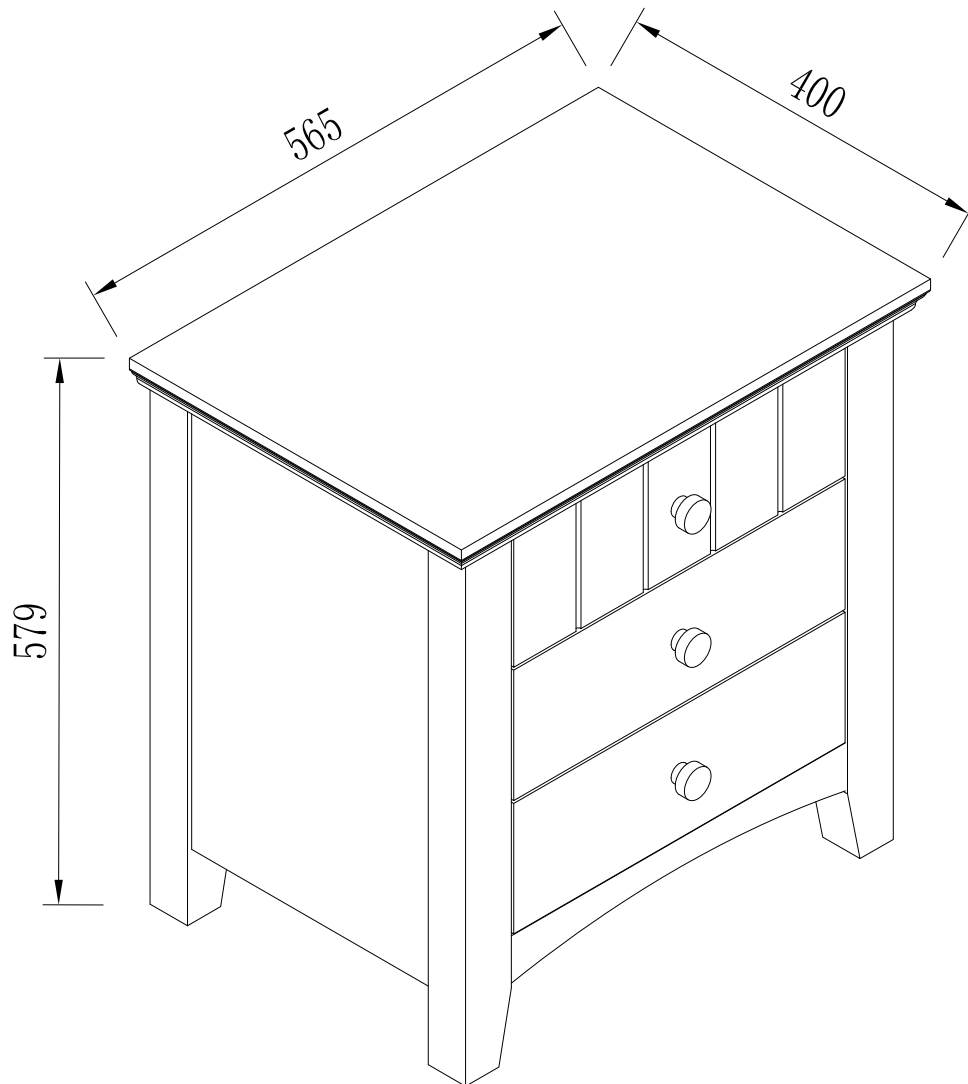


**ASSEMBLY INSTRUCTION
COPELAND BEDSIDE
ITEM CODE 75421**

Imported by Amart Furniture Pty Ltd. Qld. Brisbane Australia.

For any assistance with assembly or for missing parts please phone

Amart Furniture, Customer Service Free call 1800 351 084



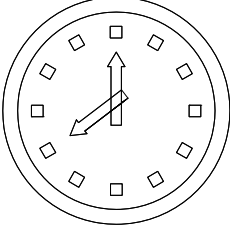
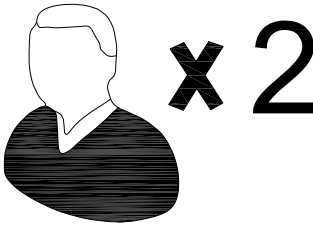

Imported by Amart Furniture Pty Ltd. Qld. Brisbane Australia.

For any assistance with assembly or for missing parts please phone Amart Furniture
Customer Service Free call 1800 351 084

PRE-ASSEMBLY PREPARATION

Before you start:

1. Choose a clean, level, spacious assembly area. Avoid hard surfaces that may damage the product
2. Take care when lifting. Product should be assembled as near as possible to the point of use
3. Ensure that you have all required contents for complete assembly.
4. Always read the assembly instructions carefully before beginning assembly.
5. Keep all hardware parts and packaging out of reach of small children.
6. Do not over tighten the screws and bolts as this may damage the threads

	
ALLOW 40 MINUTES	2 PEOPLE REQUIRED
	
ADDITIONAL TOOLS REQUIRED	

! TIPPING WARNING !



Serious or fatal injuries may occur from furniture toppling over. To help avoid this please follow the below recommendations:

- Install the provided "Tipping Kit" as per the instructions
- Never allow children to climb on or hang off of any part of this product
- Unless specifically designed to accommodate, do not set TVs or other heavy objects on top of this product

If this product has drawers:

- Place the heaviest items in lowest drawers
- Do not open more than 1 drawer at a time as this may cause the product to become unbalanced
- Do not tamper with or remove any drawer interlocking/running system

Note: The use of the provided "Tipping Kit" may reduce but not necessarily eliminate the risk of furniture toppling over. Please use this product with caution.

This is a permanent label. Do not attempt to remove!

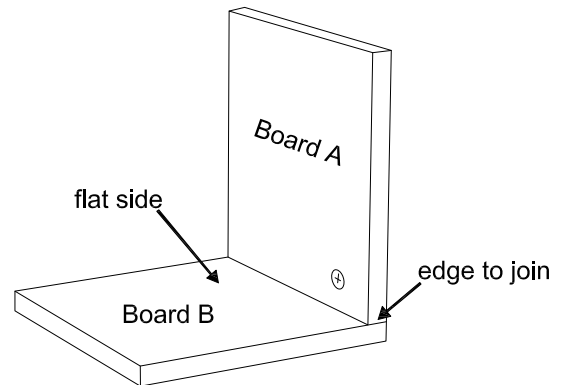
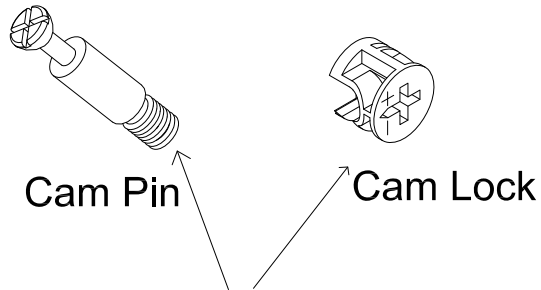
CAM Lock and Pins

step 1

HOW TO USE CAM LOCK FASTENERS

To assemble this product hardware called Cam Lock Fasteners are used. The below is information on how these work.

Cam Locks are fasteners used to join two boards together, usually the edge of one board(A) to the flat side of another board(B)



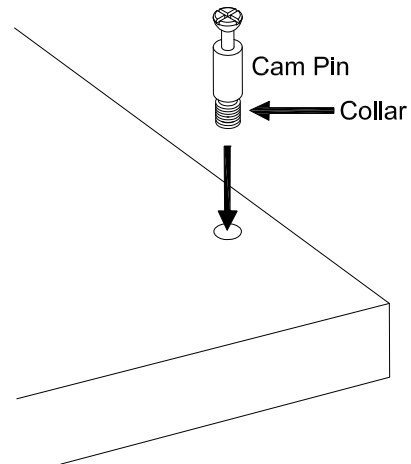
Ensure that you use the correct images that are representative of the hardware used in the product

step 2

To use Cam Lock Fasteners

The Cam Pin is inserted into the flat side of a board, it is important that:

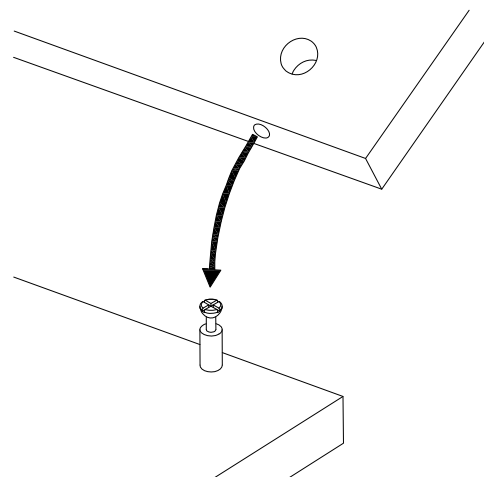
- * The cam pin is kept vertical and is not put in on an angle
- * Cam Pin is inserted up to the collar
 - * Too far and it wont catch the Cam Lock (Do not Over Tighten)
 - * Not enough and the resulting product wont be stable



step 3

To use Cam Lock Fasteners

Now fit the hole in the edge of the joining board over the Cam Pin

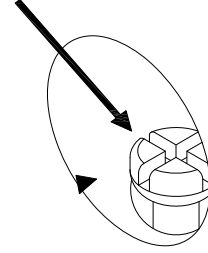


step 4

To use Cam Lock Fasteners

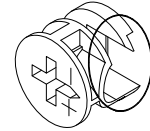
The Head of the Cam Pin will be visible in the large hole on the side of the joining board

head of the Cam Pin



To use Cam Lock Fasteners

Notice the Cam Lock has a "C" Shaped back An Arrow or +/- signs on the front, indicated the open section on the back of the Cam Pin



Cam Lock

step 5

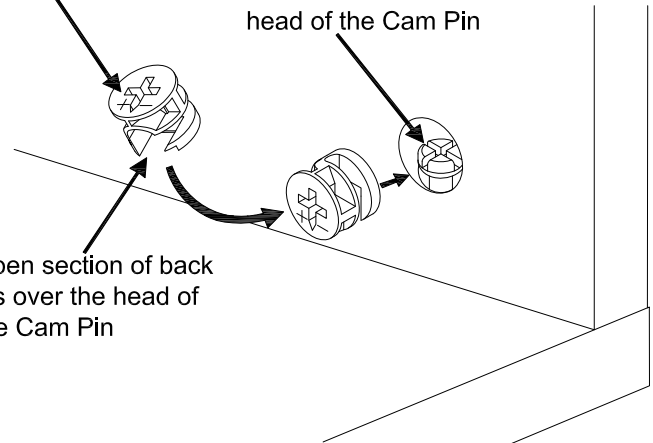
To use Cam Lock Fasteners

In sert the Cam Lock into the large hole so the opening of the "C" fits over the head of the Cam Pin. You must ensure that the Cam Lock is pushed to the bottom of the hole to catch the top of the Cam Pin

Arrow or +/- signs

head of the Cam Pin

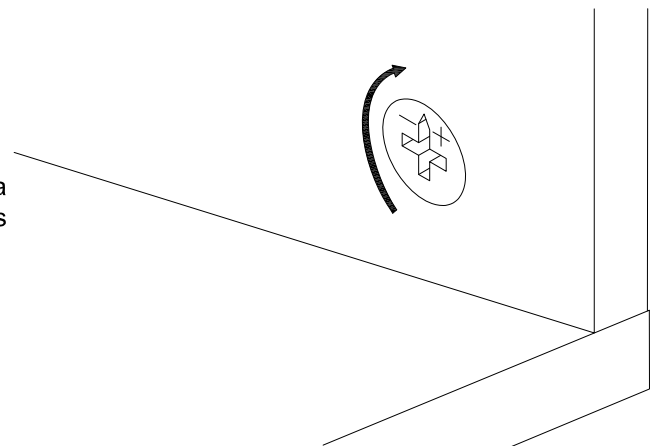
Open section of back fits over the head of the Cam Pin



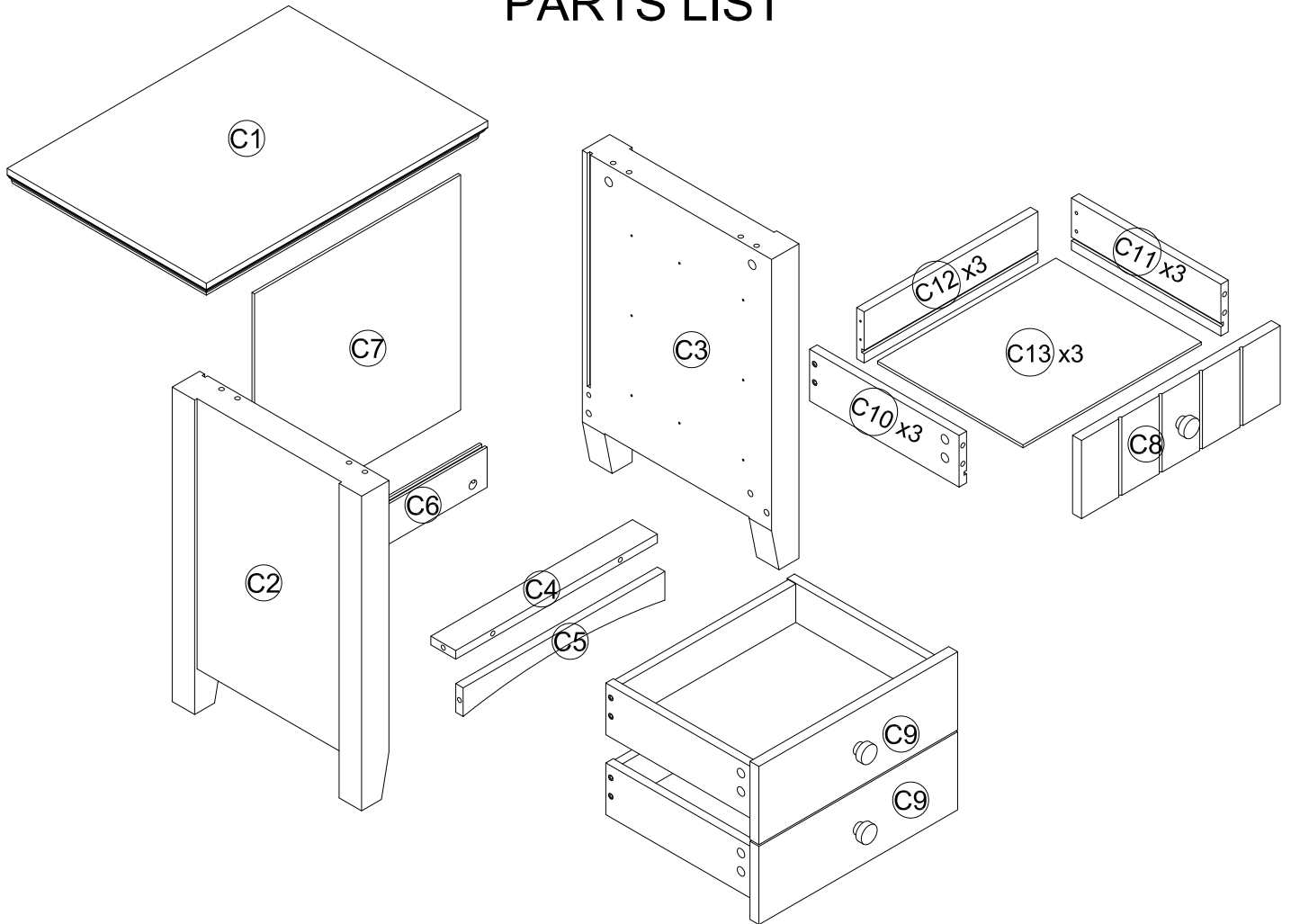
step 6

To use Cam Lock Fasteners

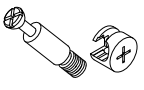
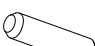
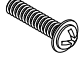
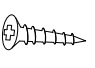



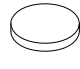

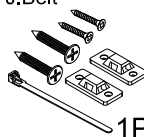

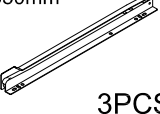
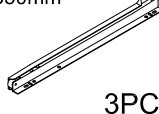
Use a flat screwdriver to turn the Cam Lock clockwise one half a turn so it Locks onto the head of the Cam Pin. Turn only until it is snug-over-tightening could cause the Cam to bend or break. If it will not turn the full amount, turn the Cam Pin out (counter-clockwise) one full turn, and try the Cam Lock again.



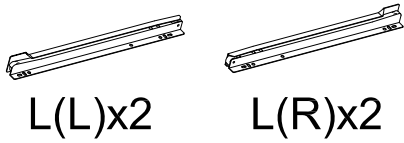
PARTS LIST



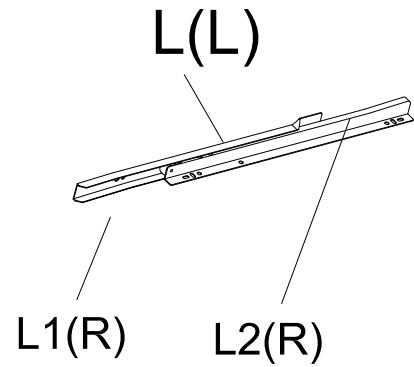
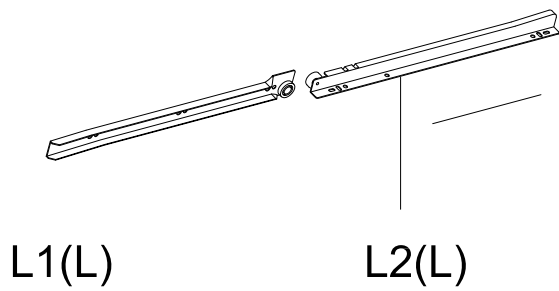
C1	Top panel	C8	Drawer Front Panel
C2	Left side Panel	C9	Drawer Front Panel
C3	Right side Panel	C10	Drawer Left side Panel
C4	Bottom Middle Support Panel	C11	Drawer Right side Panel
C5	Bottom Front Support Panel	C12	Drawer Back Panel
C6	Bottom Back Support Panel	C13	Drawer Bottom Panel
C7	Back Panel		

<input type="checkbox"/> A.Cam lock and Cam pin Ø15X35  24PCS	<input type="checkbox"/> B.Dowel Ø8X30  6PCS	<input type="checkbox"/> C.Bolt M4X22  3PCS	<input type="checkbox"/> D.Screw Ø3.5X12  36PCS	<input type="checkbox"/> E.Screw Ø3.5X30  12PCS	<input type="checkbox"/> F.Screw Ø3X18  4PCS	<input type="checkbox"/> G.Connector  4PCS
<input type="checkbox"/> H.Protect foam Ø35X5mm  4PCS	<input type="checkbox"/> I.Handle  3PCS	<input type="checkbox"/> J.Belt  1PCE	<input type="checkbox"/> K.Glue  1PCE	<input type="checkbox"/> L:Runner (L) 350mm  3PCS	<input type="checkbox"/> L:Runner (R) 350mm  3PCS	

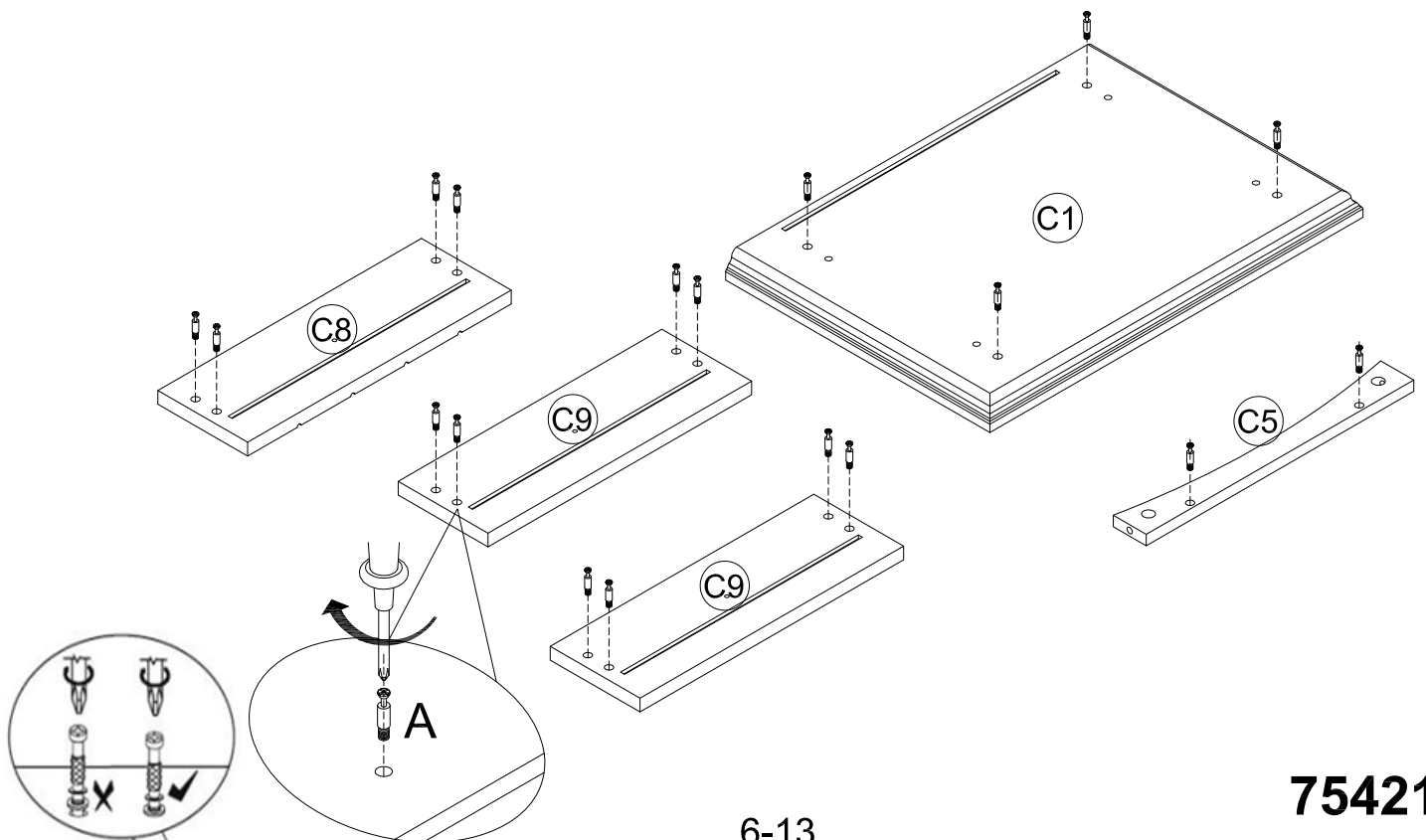
Step 1. Take off the Runner (K,L&R)



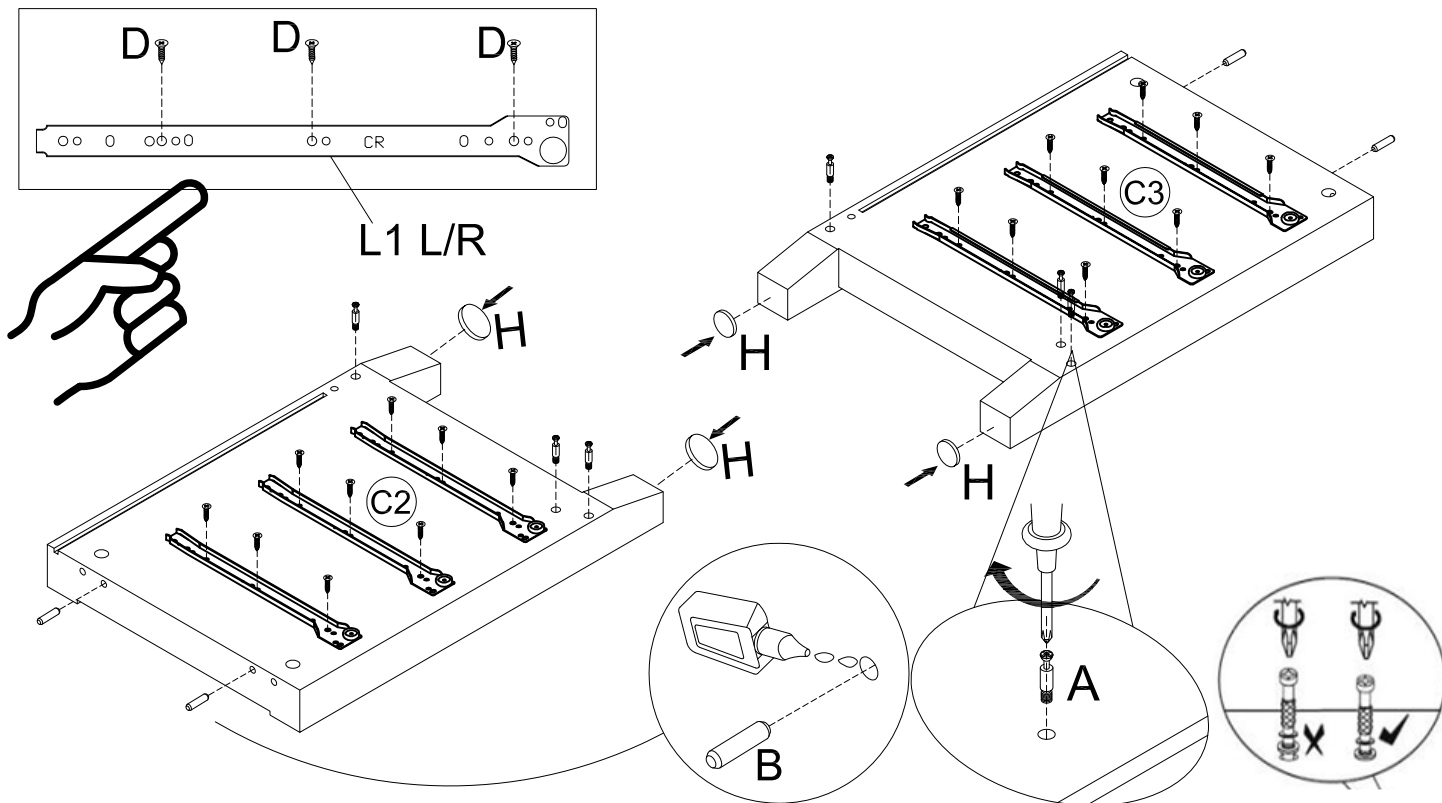
$L=L1+L2$



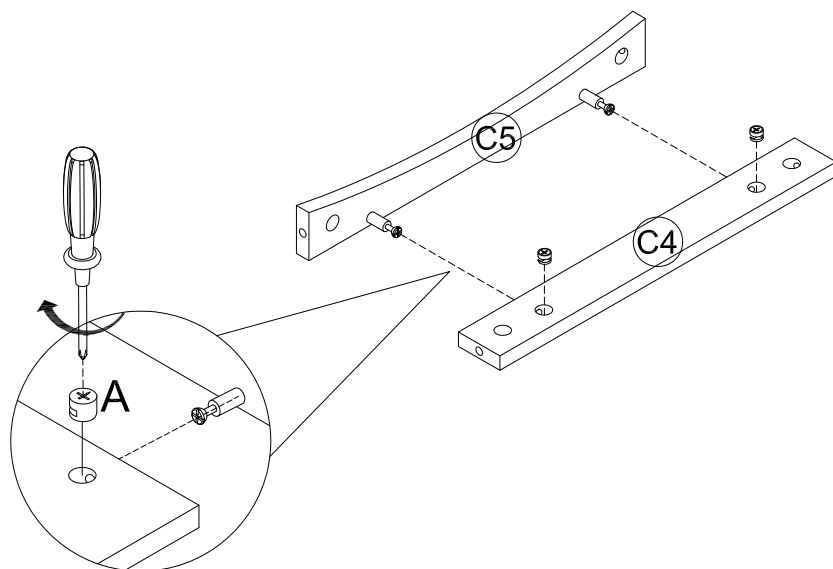
Step2: Use a Phillips Head Screwdriver to insert the Cam Pin(A) to the Top Panel(C1) and Bottom Front Support Panel(C5) and Drawer Front Panel(C8,C9)



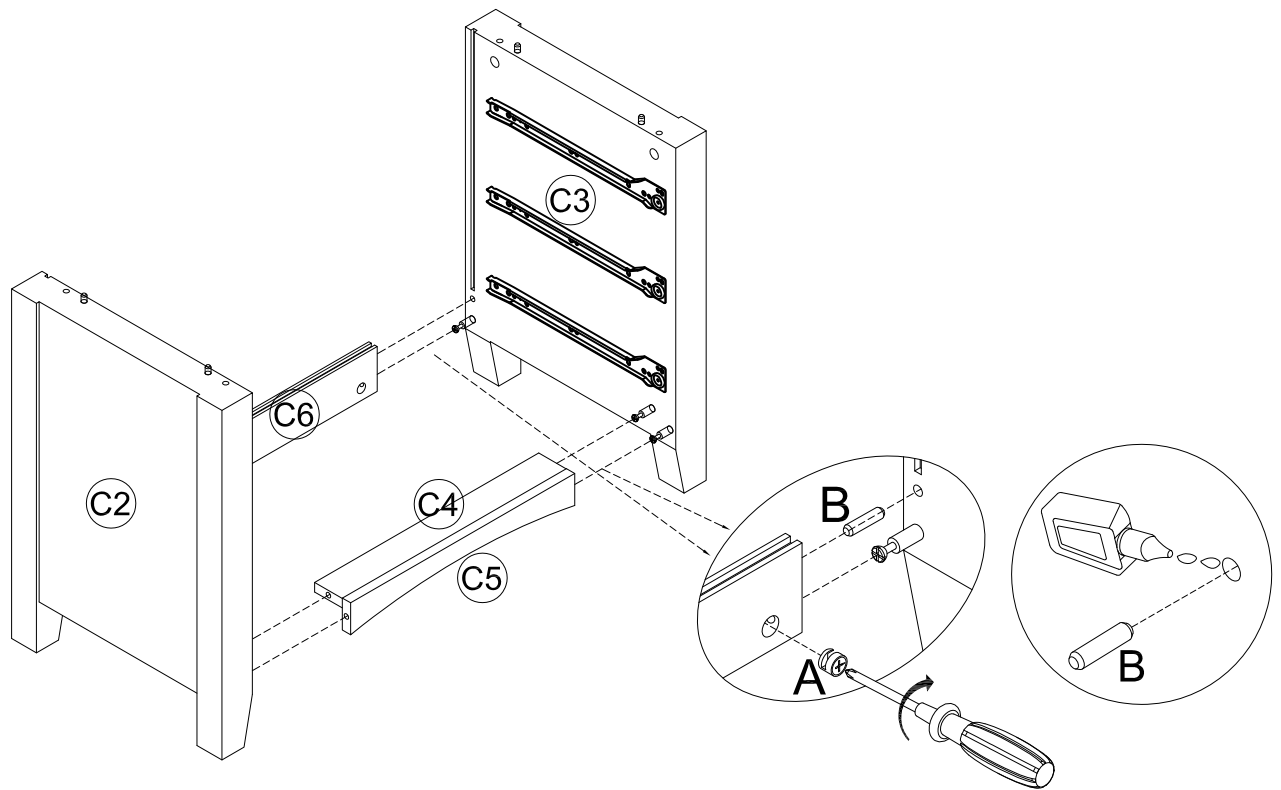
Step 3: Insert the Dowel(B)to the Left Side Panel(C2)and Right Side Panel(C3).Use a Phillips Head Screwdriver to insert the Cam Pin(A) to the Left Side Panel(C2)and Right Side Panel(C3). Use a Phillips Head Screwdriver to tighten the Runner(L1)to the Drawer Left side Panel(C2) and Right side Panel (C3)with Screw(D).Place the Protect foam(H) to the Left Side Panel(C2) and Right Side Panel(C3).



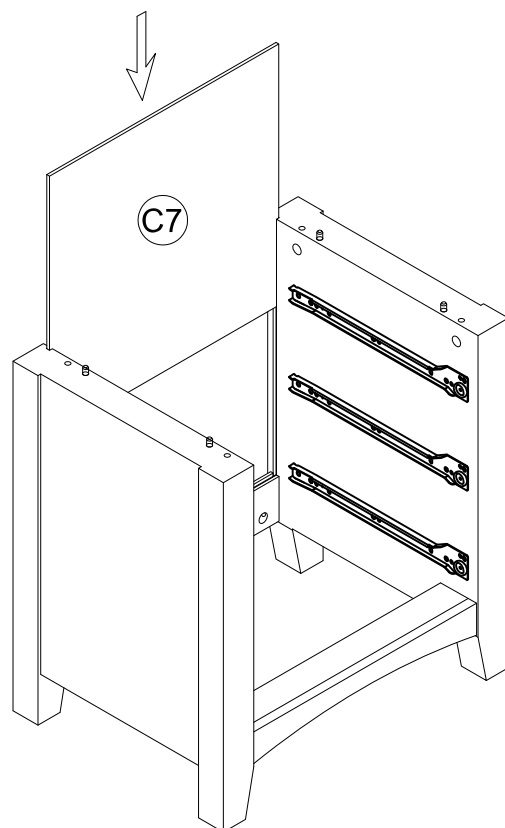
Step 4: Attach the Bottom Middle Support Panel(C4) to the Bottom Front Support Panel(C5). Use a Phillips Head Screwdriver to turn the Cam Lock (A) to lock onto the head of Cam Pin(A).



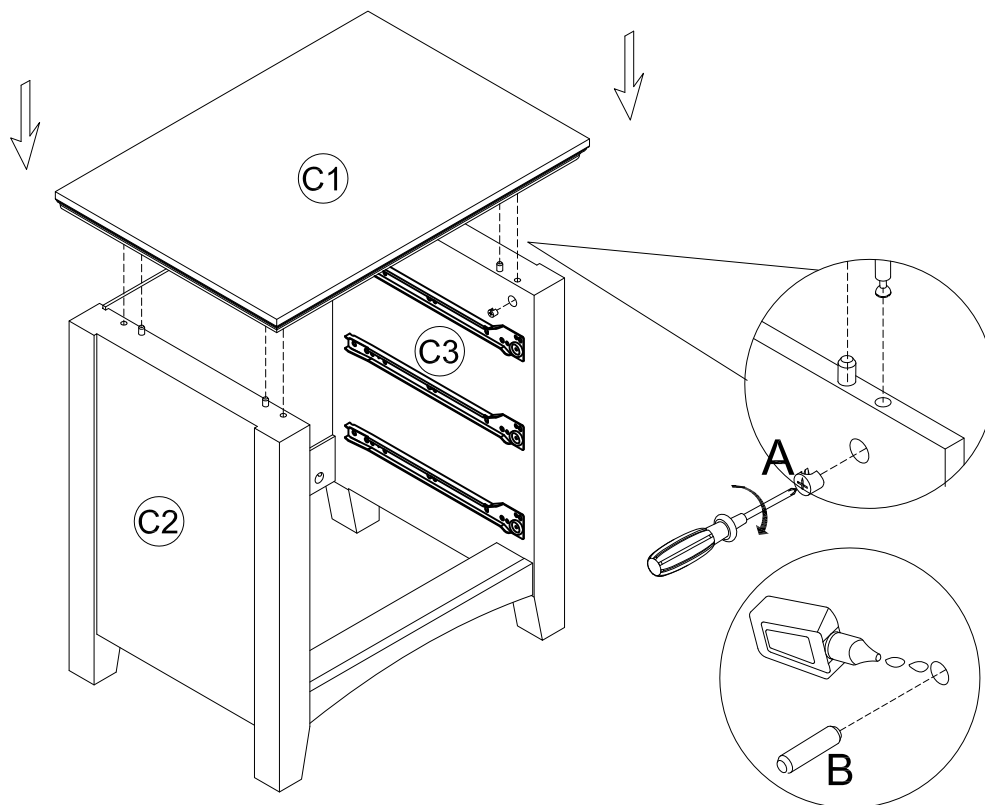
Step 5: Insert the Dowel(B)to the Bottom Back Support Panel (C6). Attach the Bottom Middle Support Panel(C4) and Bottom Front Support Panel(C5) and Bottom Back Support Panel (C6)to the Left Side Panel(C2)and Right Side Panel(C3).Use a Phillips Head Screwdriver to turn the Cam Lock (A) to lock onto the head of Cam Pin(A).



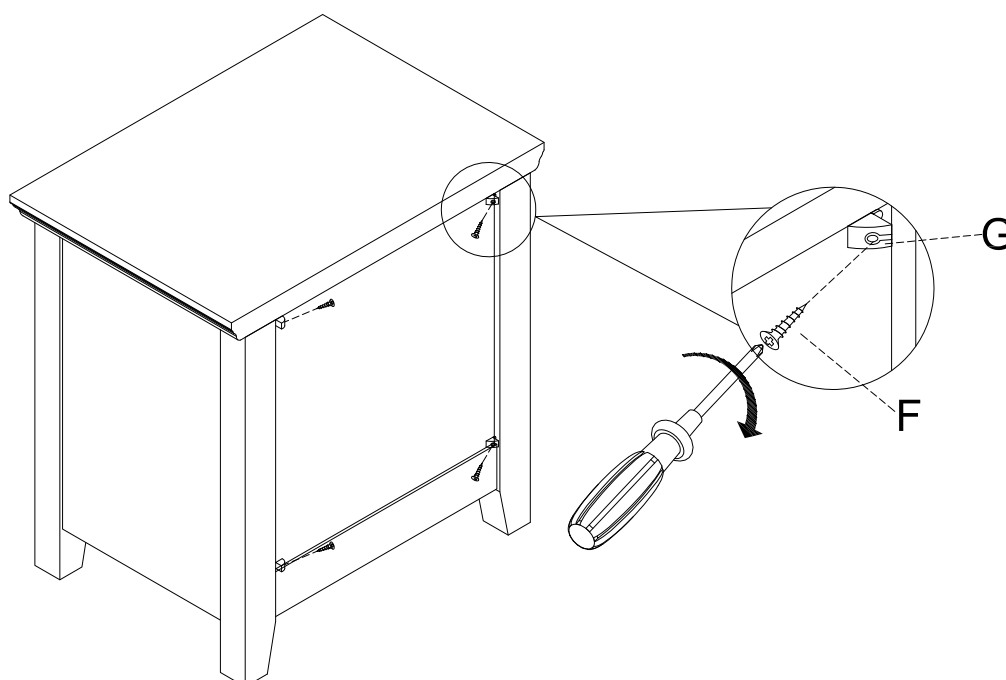
Step 6: Insert the Back Panel(C7) to the groove.



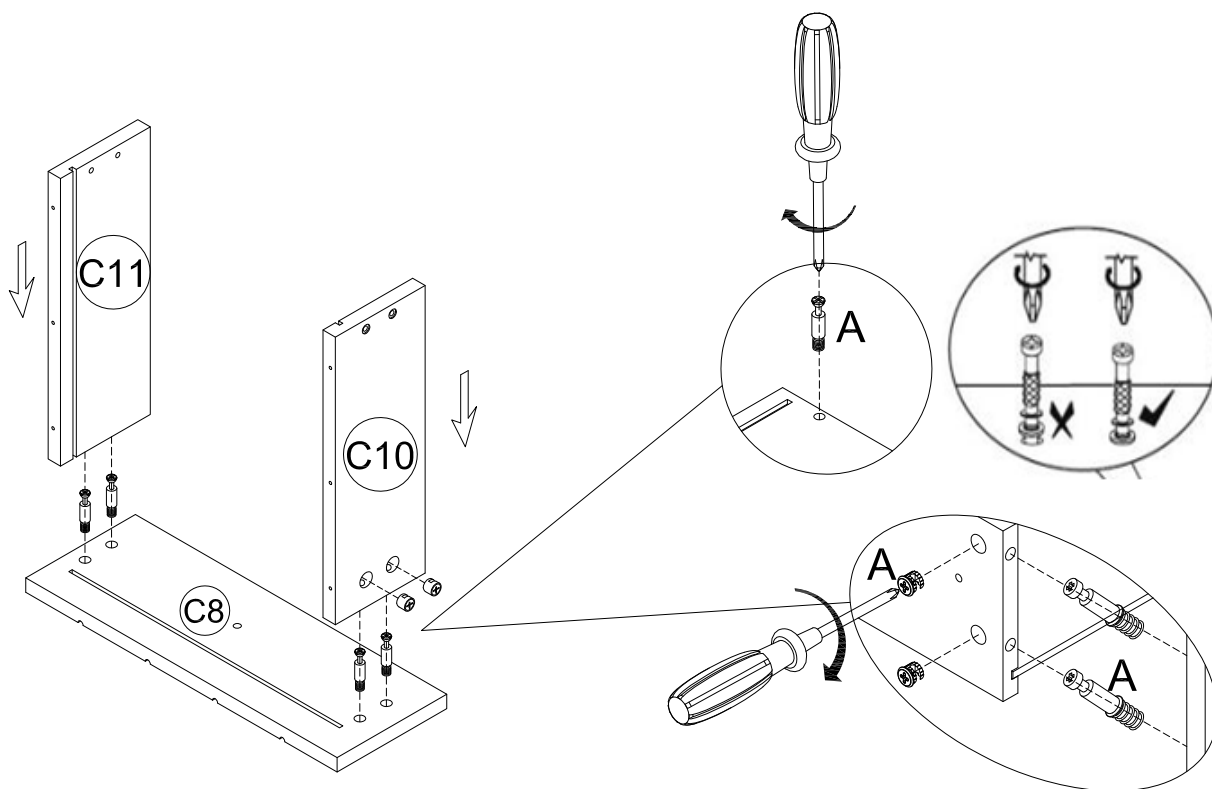
Step 7: Attach the Top panel(C1) to the Left side Panel(C2) and Right side Panel(C3) .Use a Phillips Head Screwdriver to turn the Cam Lock(A) to lock onto the head of Cam Pin(A).



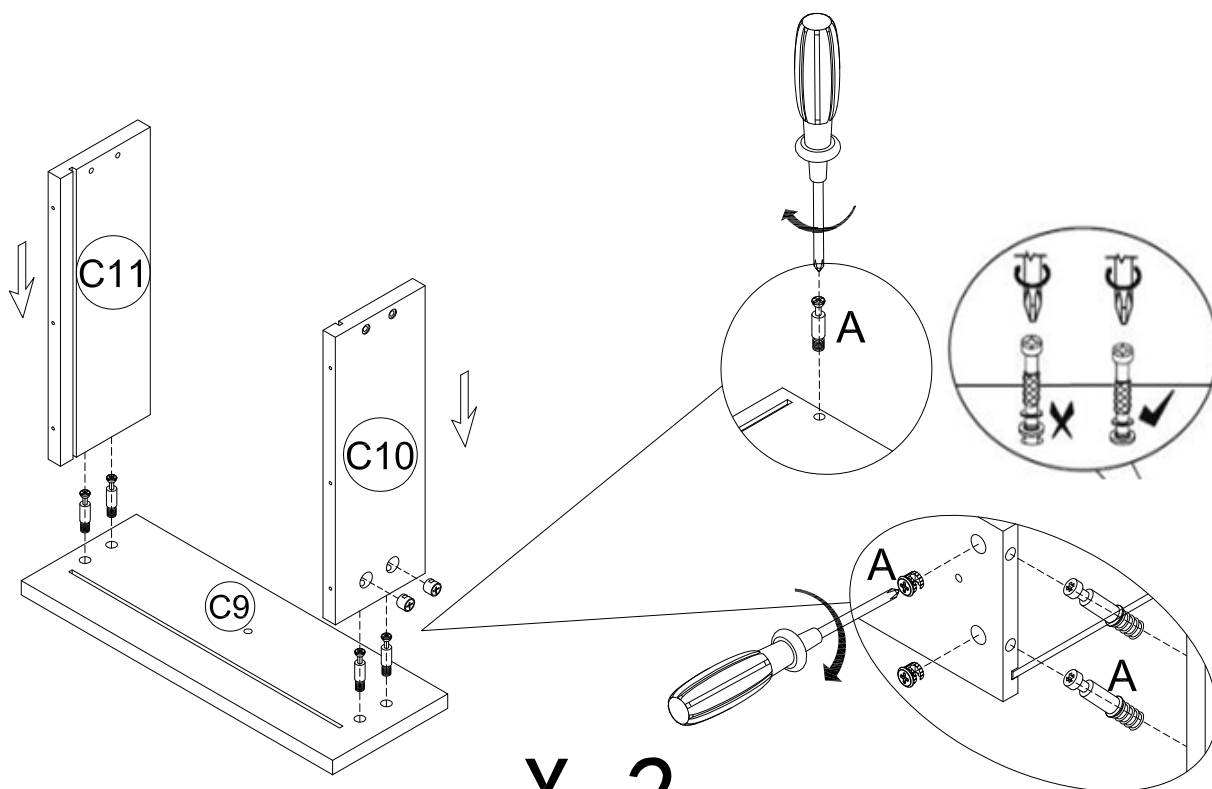
Step 8: Use a Phillips Head Screwdriver to tighten the connector(G)to the back corner with Screw(F).



Step 9: Assemble Drawer Left side Panel(C10)and Drawer Right side Panel(C11) to the Drawer Front Panel(C8).Use a Phillips Head Screwdriver to turn the Cam Lock (A) to lock onto the head of Cam Pin(A).

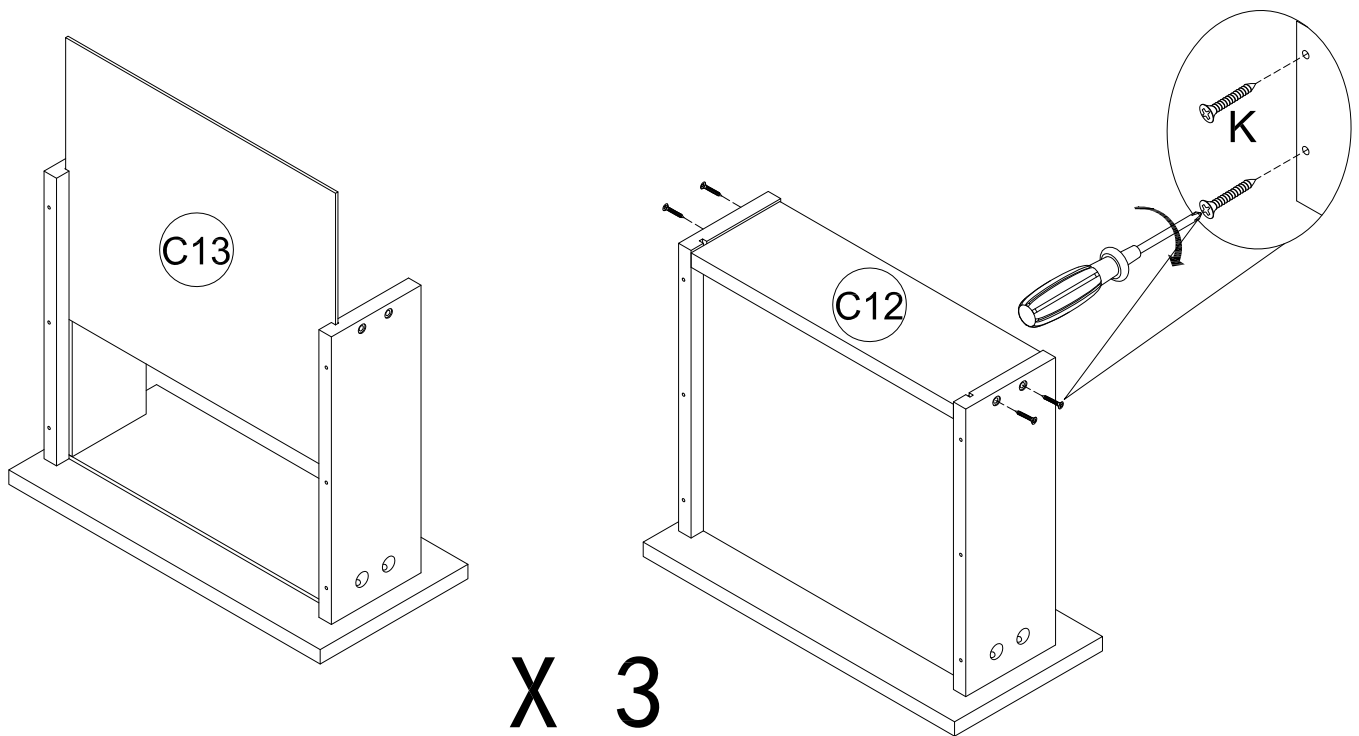


Step 10: Assemble Drawer Left side Panel(C10)and Drawer Right side Panel(C11) to the Drawer Front Panel(C9).Use a Phillips Head Screwdriver to turn the Cam Lock (A) to lock onto the head of Cam Pin(A).

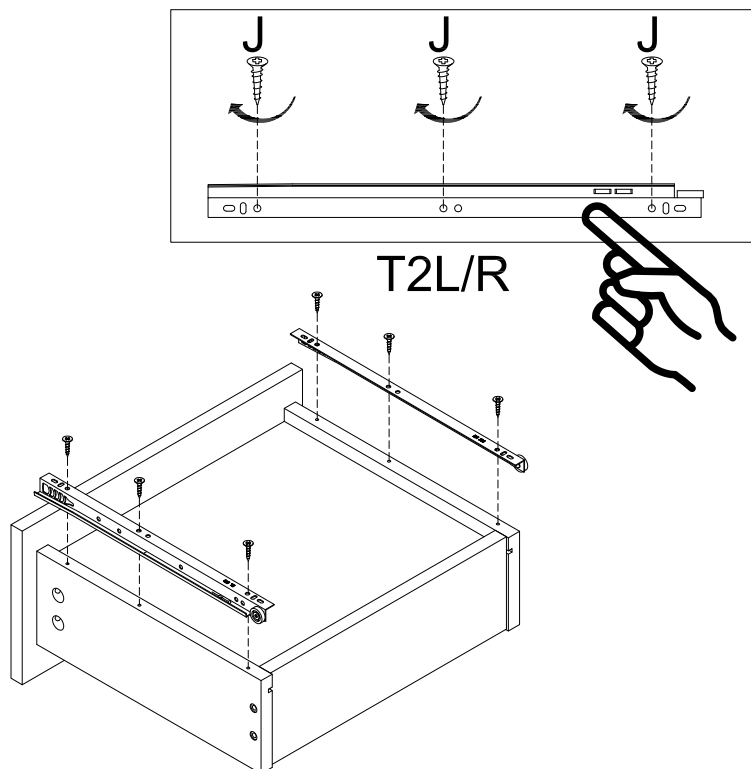


X 2

Step 11: Insert the Drawer Bottom Panel(C13) to the groove. Use a Phillips Head Screwdriver to tighten the Drawer Back Panel(C12) to the Drawer Left side Panel(C10) and Drawer Right side Panel(C11) with Screw(K).

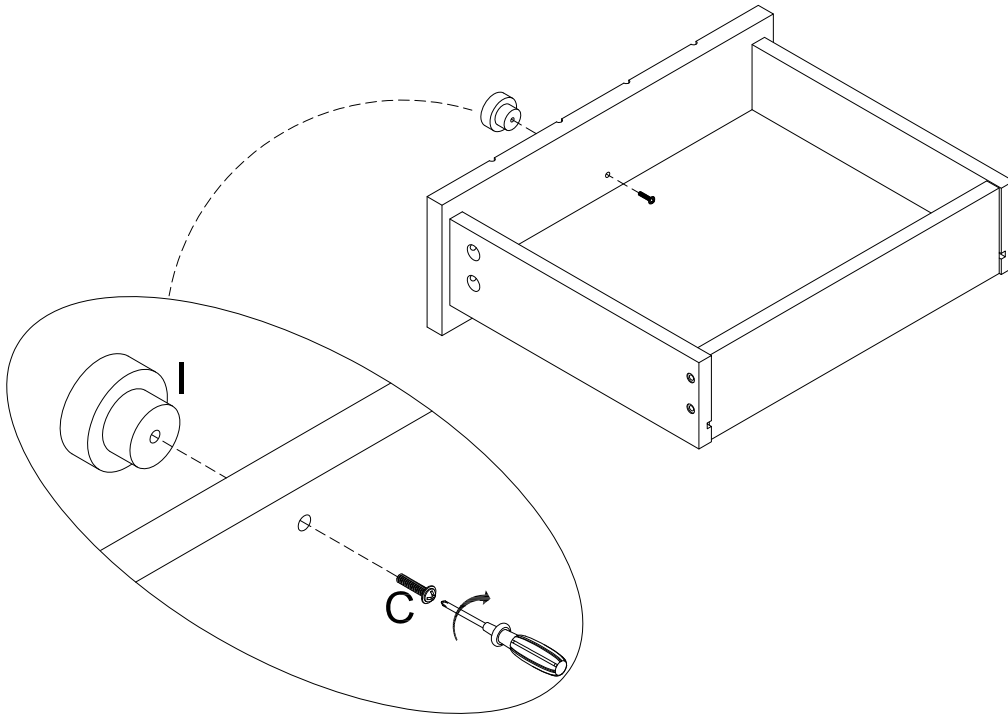


Step 12: Use a Phillips Head Screwdriver to tighten the Runner(L2) to the Drawer Left side Panel(C10) and Right side Panel (C11) with Screw(J).

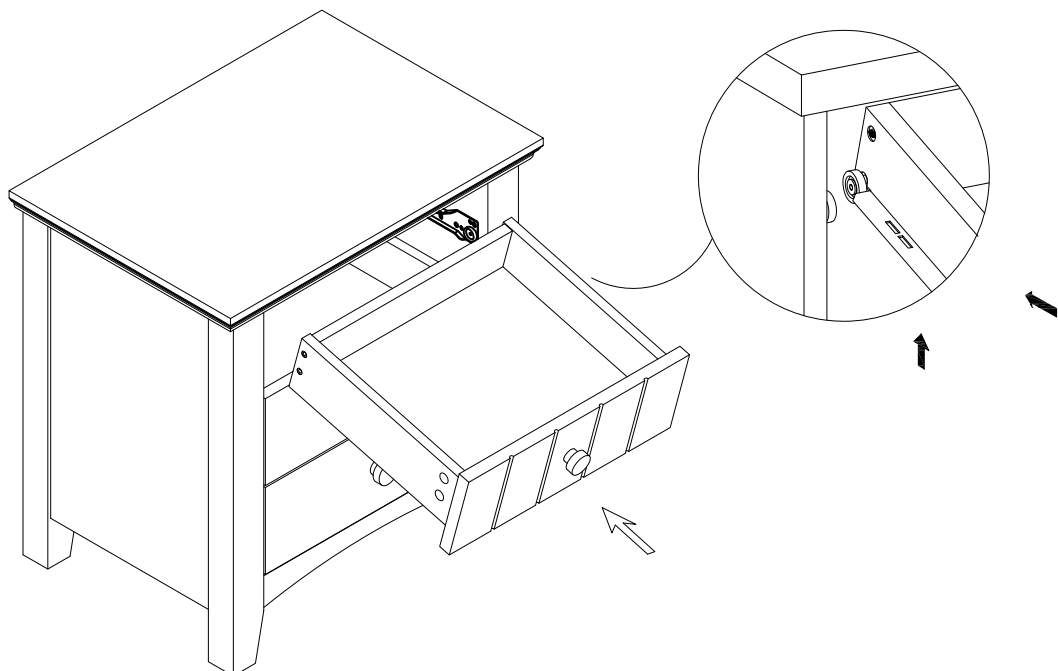


X 3

Step 13: Use a Phillips Head Screwdriver to tighten the Handle(I) to the Drawer Front Panel(C8,C9) with Bolt(C).



Step 14: Insert the Drawers into the body.



SAFETY BRACKETS INSTRUCTIONS

This furniture poses a tipping risk and as such must be secured to a wall using the provided tipping kit.

1. Attach one Mounting Plate to the wall with the Large Screws. Make sure to attach the Mounting Plate into a stud. If mounting into brick or masonry you will need to acquire wall anchors. Please enquire with your local hardware supplier for appropriate fixings.
2. Attach the second Mounting Plate to the furniture frame with the Short Screws.
3. Move the furniture to its final position. Thread a Wall Strap through the both Mounting Plates and tighten until snug. Do not over tighten.
4. Make sure that the Mounting Plates are firmly attached to the wall and furniture and that the Wall Strap is snug.

HARDWARE



Mounting Plate x 2



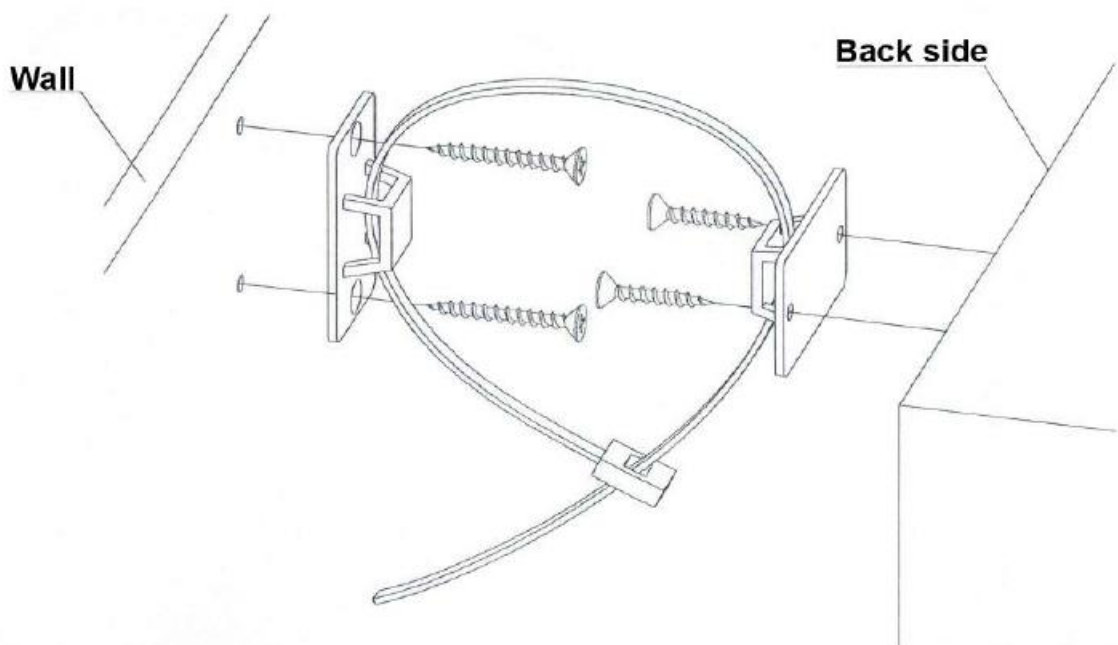
Wall Strap x 1



Large Screw x2



Small Screw x2



PRODUCT CARE:

To protect your furniture, we suggest the following:

- Avoid placing your furniture in direct sunlight.
- Do not place furniture directly under windows.
- Do not place sharp materials (knife, fork, etc.) directly onto your furniture as sharp material may scrape and damage the finish.
- Do not place material with high temperature directly onto the surface of your furniture.
- Clean up spills quickly. Water left over a prolonged period of time may cause damage. Alcohol, perfume, nail polishes, aftershave and some medication may cause severe finish damage if not cleaned immediately.
- Use a clean, soft, dry, lint free absorbent cloth to clean your furniture. Do not use any detergent as they may contain ingredients that may react and damage the finish.
- NOTE: If the above care advise is not adhered to your product warranty may become void